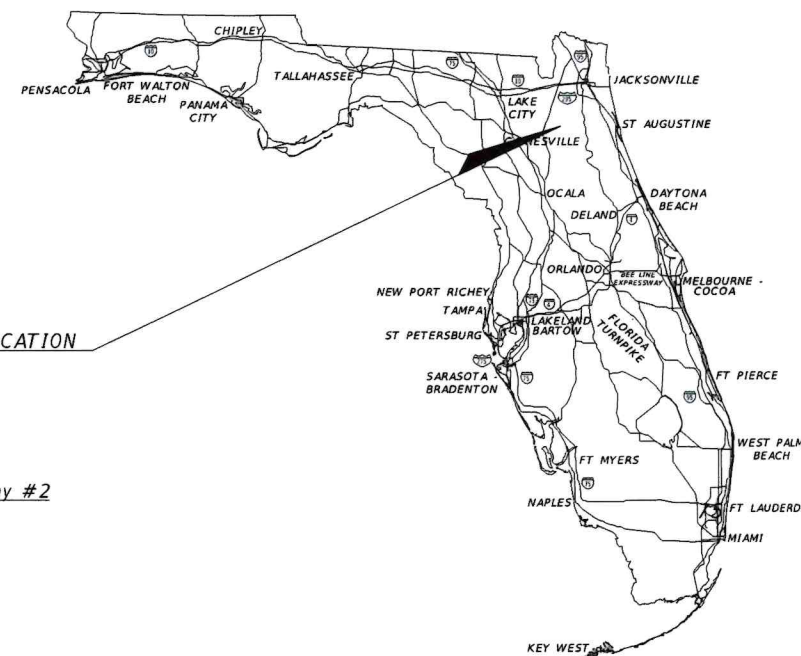




CITY OF HAMPTON, FLORIDA

WATER MAIN LOOPING
PHASE 2
CONSTRUCTION PLANS

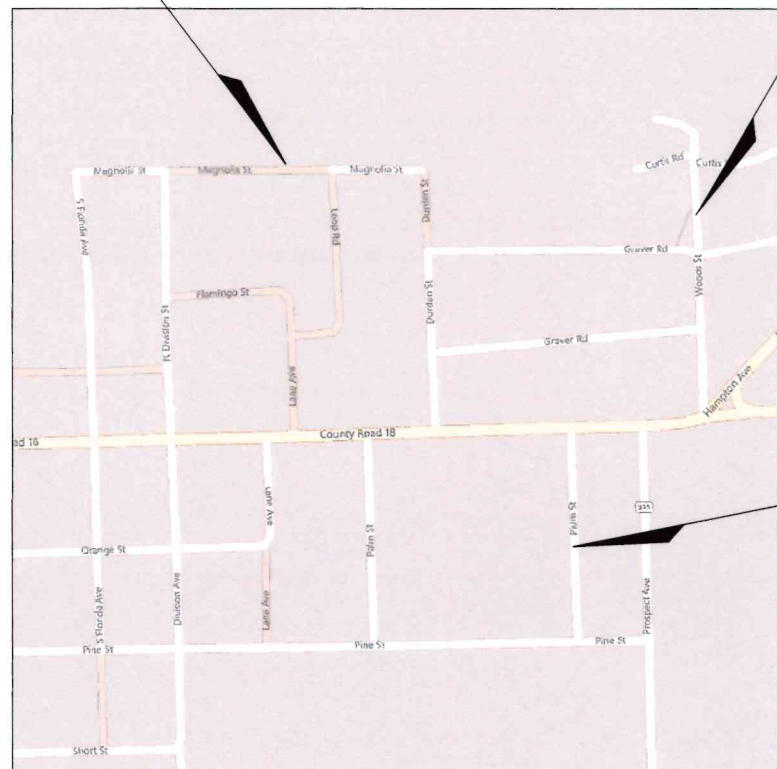


INDEX OF WATER LOOPING PHASE 2

<u>SHEET NO.</u>	<u>SHEET DESCRIPTION</u>
1	KEY SHEET
2	GENERAL NOTES
3	WATER LOOPING PLAN (1)
4	WATER LOOPING PLAN (2)
5	WATER LOOPING PLAN (3)
6	DETAILS

Project Roadway #1
Magnolia Street

Project Roadway #2
Woods Road



Project Roadway #3
Plum Avenue

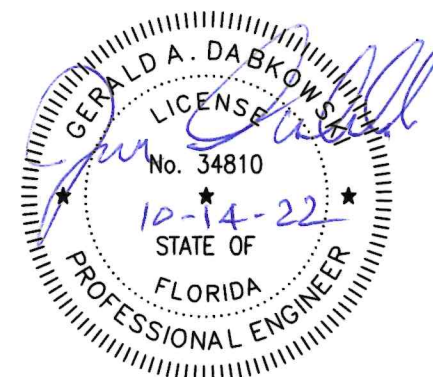
FINAL PLANS SUBMITTAL

ENGINEER OF RECORD:

JERRY DABKOWSKI, P.E.
P.E. NO.: 34810
INFRASTRUCTURE CONSULTING & ENGINEERING, PLLC
5550 WEST IDLEWILD AVENUE, SUITE 115
TAMPA, FLORIDA, 33634
CERTIFICATE OF AUTHORIZATION NO.: 30862

INFRASTRUCTURE
CONSULTING & ENGINEERING

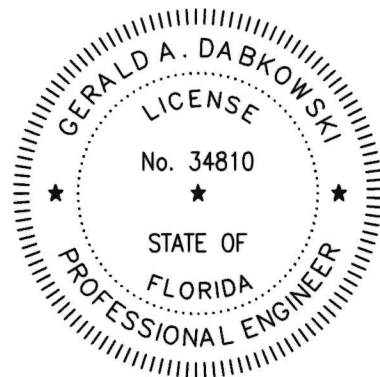
ICE PROJECT #21-51.05



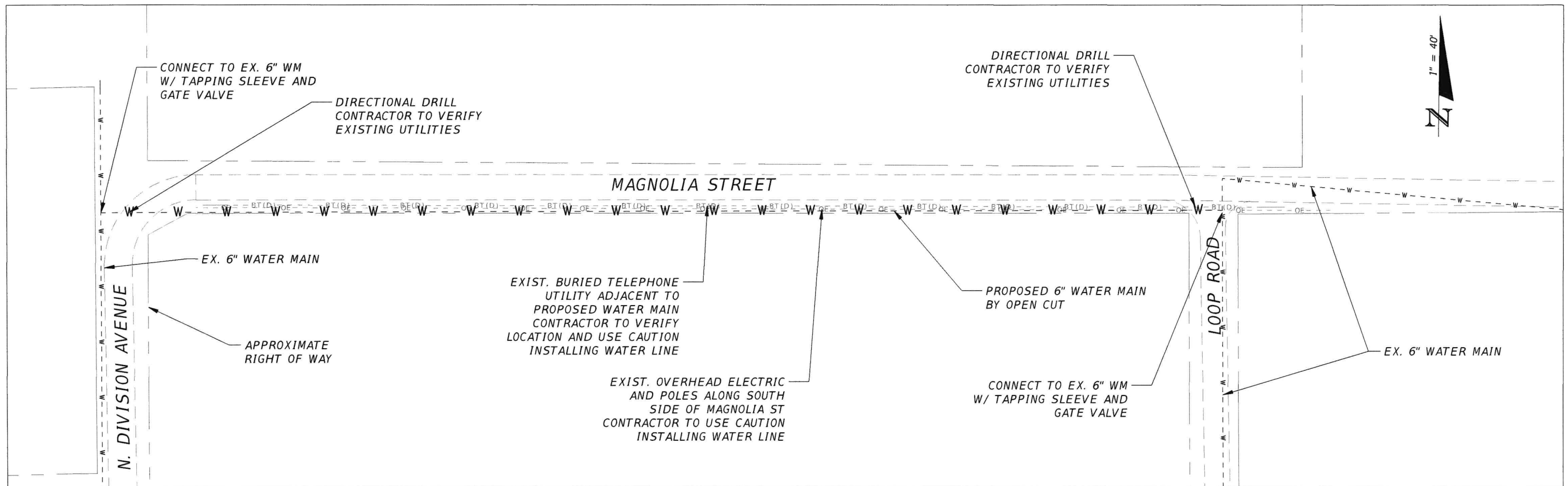
SHEET NO.
1

GENERAL NOTES:

1. ALL CONSTRUCTION ACTIVITIES SHALL BE COORDINATED WITH THE CITY OF HAMPTON.
2. THE INFORMATION IN THESE PLANS IS SOLELY TO ASSIST THE CONTRACTOR IN ASSESSING THE NATURE AND EXTENT OF THE CONDITIONS WHICH MAY BE ENCOUNTERED DURING CONSTRUCTION. THE CONTRACTOR IS DIRECTED TO, PRIOR TO BIDDING, CONDUCT WHATEVER INVESTIGATION THEY MAY DEEM NECESSARY TO ARRIVE AT THEIR OWN CONCLUSIONS REGARDING THE ACTUAL CONDITIONS THAT WILL BE ENCOUNTERED AND UPON WHICH THEIR BIDS WILL BE BASED.
3. ALL CONSTRUCTION METHODS AND MATERIALS, INCLUDING PIPING, VALVES, FIRE HYDRANTS, AND ASSOCIATED APPURTENANCES SHALL CONFORM TO CURRENT STANDARDS OF GAINESVILLE REGIONAL UTILITIES (GRU) AND THE AMERICAN WATER WORKS ASSOCIATION (AWWA).
4. THE CONTRACTOR SHALL NOTIFY SUNSHINE 811 (1-800-432-4770) AT LEAST 2 FULL BUSINESS DAYS PRIOR TO CONSTRUCTION OPERATIONS. THE CONTRACTOR SHALL BE RESPONSIBLE FOR COORDINATING WITH ALL UTILITIES FOR THE POSSIBLE RELOCATION OR THE TEMPORARY MOVEMENT OF ANY EXISTING UTILITIES WITHIN THE CORRIDOR. THE CONTRACTOR IS RESPONSIBLE FOR PROTECTING EXISTING UTILITIES FROM DAMAGE. EXPLORATORY EXCAVATION MAY BE REQUIRED PRIOR TO CONNECTION TO EXISTING UTILITIES AS INCLUDED IN THE BID.
5. MATERIAL DELIVERED TO THE JOB SITE SHALL BE INSPECTED. MATERIALS FOUND DURING INSPECTION OR DURING THE PROGRESS OF THE WORK TO HAVE CRACKS, FLAWS, SURFACE ABRASIONS, CRACKED LININGS, OR OTHER DEFECTS SHALL BE REJECTED AND REMOVED FROM THE JOBSITE AND REPLACED WITHOUT DELAY.
6. THE CONTRACTOR SHALL FURNISH SHOP DRAWINGS TO THE ENGINEER FOR REVIEW OF ALL PIPE CONNECTIONS, TRANSITIONS, AND SPECIAL APPURTENANCES PRIOR TO FABRICATION OR DELIVERY TO THE JOB SITE.
7. THE CONTRACTOR SHALL USE SHEET PILING, SHEETING, BRACING, ETC., AS REQUIRED IN ALL EXCAVATION AREAS AND SHALL CONFORM TO ALL OSHA REQUIREMENTS.
8. THE CONTRACTOR SHALL USE ALL NECESSARY SAFETY PRECAUTIONS TO AVOID CONTACT WITH OVERHEAD AND UNDERGROUND UTILITIES, POWER LINES, ETC.
9. THE CONTRACTOR SHALL PROVIDE A CONTINUOUS SAFE WORKSPACE.
10. RIGHT-OF-WAY BOUNDARIES ARE APPROXIMATED FROM BRADFORD COUNTY PROPERTY APPRAISER PARCEL INFORMATION.
11. ALL CONSTRUCTION ACTIVITIES SHALL BE LIMITED TO WITHIN THE CITY OF HAMPTON AND/OR BRADFORD COUNTY RIGHT-OF-WAY AND EASEMENTS. THE CONTRACTOR SHALL BE RESPONSIBLE FOR OBTAINING ALL APPLICABLE PERMITS REQUIRED FOR CONSTRUCTION.
12. THE CONTRACTOR SHALL BE RESPONSIBLE FOR REPLACING ALL DAMAGED STORM WATER STRUCTURES, PIPING, ENTRANCE PIPE AND HEADWALLS, AND DRIVEWAY OR ROADWAY SURFACES WHETHER SHOWN ON THE PLANS OR NOT.
13. INGRESS AND EGRESS TO ALL THE PROPERTIES IN THE CONSTRUCTION AREA SHALL BE MAINTAINED AT ALL TIMES.



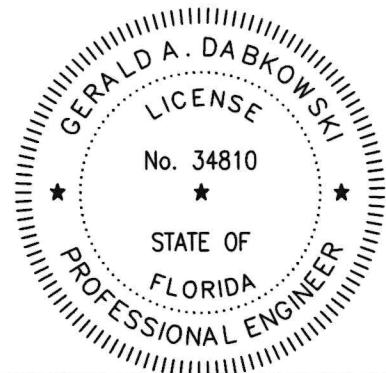
REVISIONS				JERRY DABKOWSKI, P.E. P.E. LICENSE NUMBER 34810 INFRASTRUCTURE CONSULTING & ENGINEERING, PLLC 5550 WEST IDLEWILD AVENUE, SUITE 115 TAMPA, FLORIDA 33634 CERTIFICATE OF AUTHORIZATION 30862	CITY OF HAMPTON		<i>GENERAL NOTES</i>	SHEET NO.
DATE	DESCRIPTION	DATE	DESCRIPTION			COUNTY		
----						BRADFORD		2



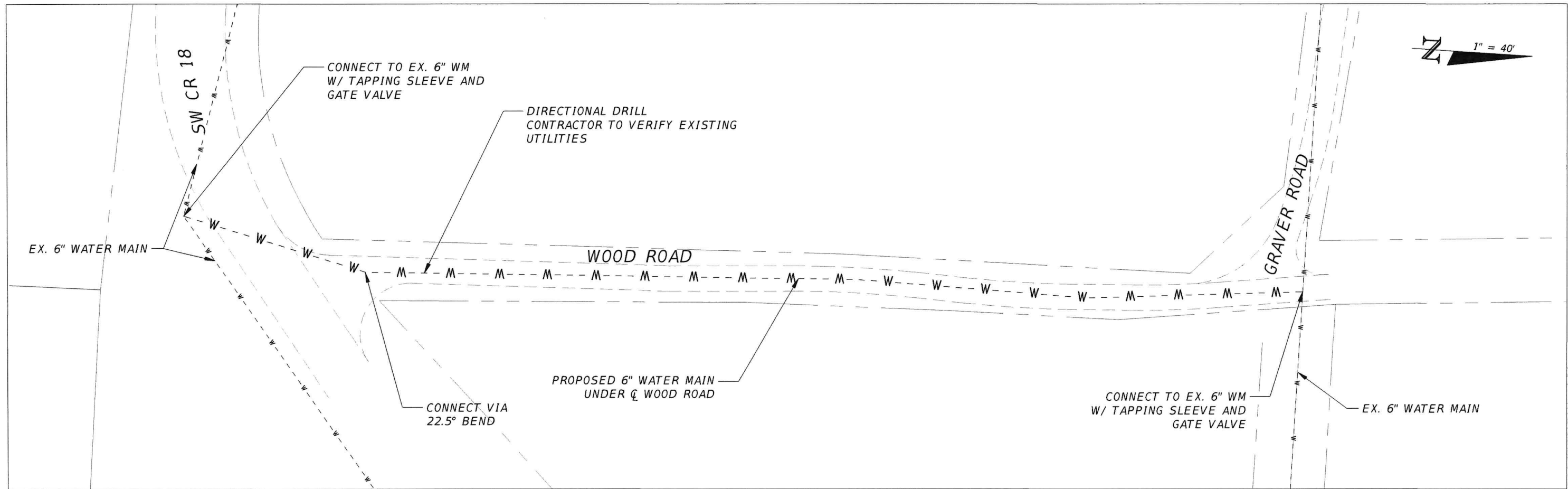
NOTES:

1. CONTRACTOR TO VERIFY LOCATION OF EXISTING 6" WATER MAIN AND OTHER UTILITIES ALONG MAGNOLIA STREET.
2. MAINTAIN 5' CLEARANCE FROM EDGE OF PAVEMENT TO CENTERLINE OF PIPE.
3. LIMITS OF SOD TO INCLUDE 2' FROM CENTERLINE OF PIPE ON EACH SIDE.
4. FOR WORK ALONG SHOULDER, SET UP TEMPORARY TRAFFIC CONTROL DEVICES PER FDOT STANDARD PLAN INDEX 102-602. POSTED SPEED = 25 MPH.
5. NO WORK IS PERMITTED AT NIGHT. ALL CONSTRUCTION ACTIVITIES MUST BE PERFORMED BETWEEN 6 AM AND 6 PM.

MAGNOLIA STREET		
TABULATION OF QUANTITIES		
ITEM	UNIT	NO. OF UNITS
6" PVC WATER MAIN DIRECTIONAL DRILL	LF	450
6" GATE VALVE	EA	2
SOD	SY	250



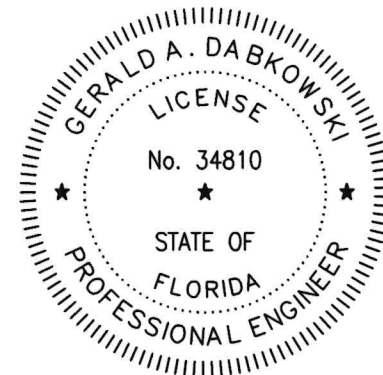
REVISIONS				JERRY DABKOWSKI, P.E. P.E. LICENSE NUMBER 34810 INFRASTRUCTURE CONSULTING & ENGINEERING, PLLC 5550 WEST IDLEWILD AVENUE, SUITE 115 TAMPA, FLORIDA 33634 CERTIFICATE OF AUTHORIZATION 30862	CITY OF HAMPTON		WATER LOOPING PLAN (1)	SHEET NO. 3
DATE	DESCRIPTION	DATE	DESCRIPTION		ROAD	COUNTY		
---	---	---	---		MAGNOLIA STREET	BRADFORD		



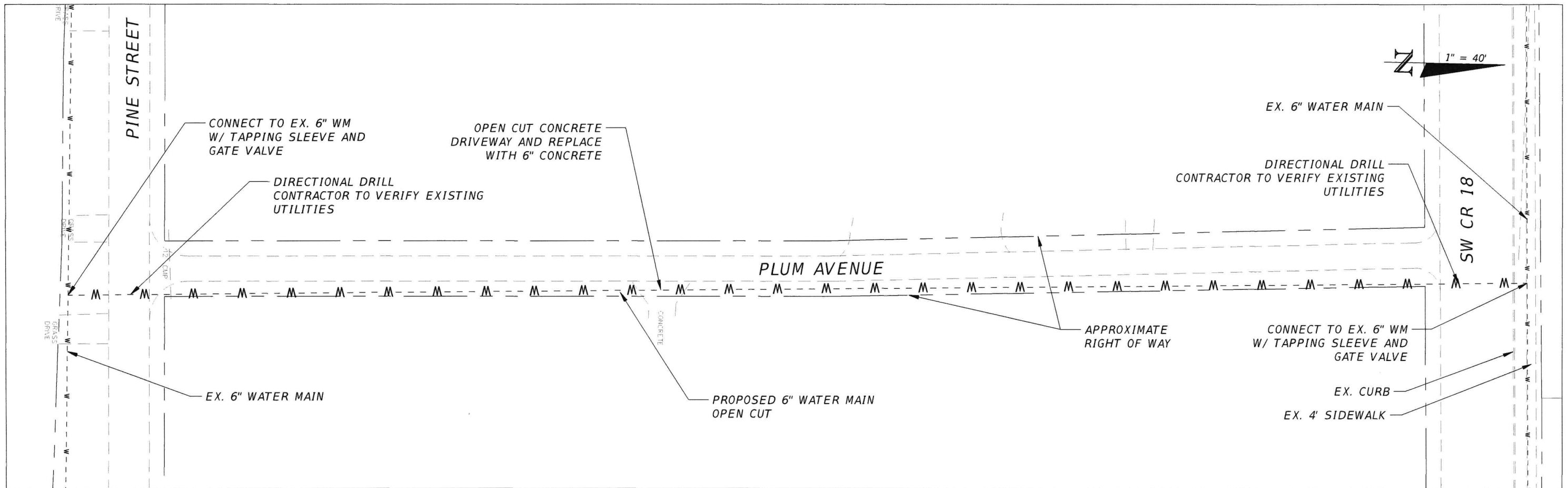
NOTES:

1. CONTRACTOR TO VERIFY LOCATION OF EXISTING 6" WATER MAIN.
2. FOR WORK ALONG SHOULDER, SET UP TEMPORARY TRAFFIC CONTROL DEVICES PER FDOT STANDARD PLAN INDEX 102-602. POSTED SPEED = 25 MPH.
3. NO WORK IS PERMITTED AT NIGHT. ALL CONSTRUCTION ACTIVITIES MUST BE PERFORMED BETWEEN 6 AM AND 6 PM.

WOODS ROAD		
TABULATION OF QUANTITIES		
ITEM	UNIT	NO. OF UNITS
6" PVC WATER MAIN DIRECTIONAL DRILL	LF	450
6" GATE VALVE	EA	2



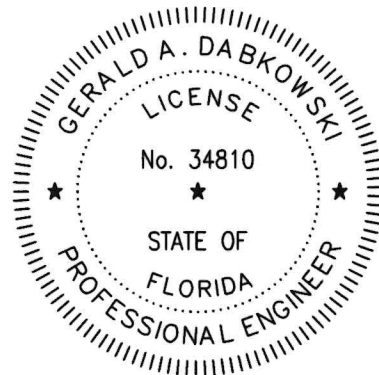
REVISIONS				JERRY DABKOWSKI, P.E. P.E. LICENSE NUMBER 34810 INFRASTRUCTURE CONSULTING & ENGINEERING, PLLC 5550 WEST IDLEWILD AVENUE, SUITE 115 TAMPA, FLORIDA 33634 CERTIFICATE OF AUTHORIZATION 30862	CITY OF HAMPTON		WATER LOOPING PLAN (2)	SHEET NO. 4
DATE	DESCRIPTION	DATE	DESCRIPTION		ROAD	COUNTY		
----	----				WOOD ROAD	BRADFORD		



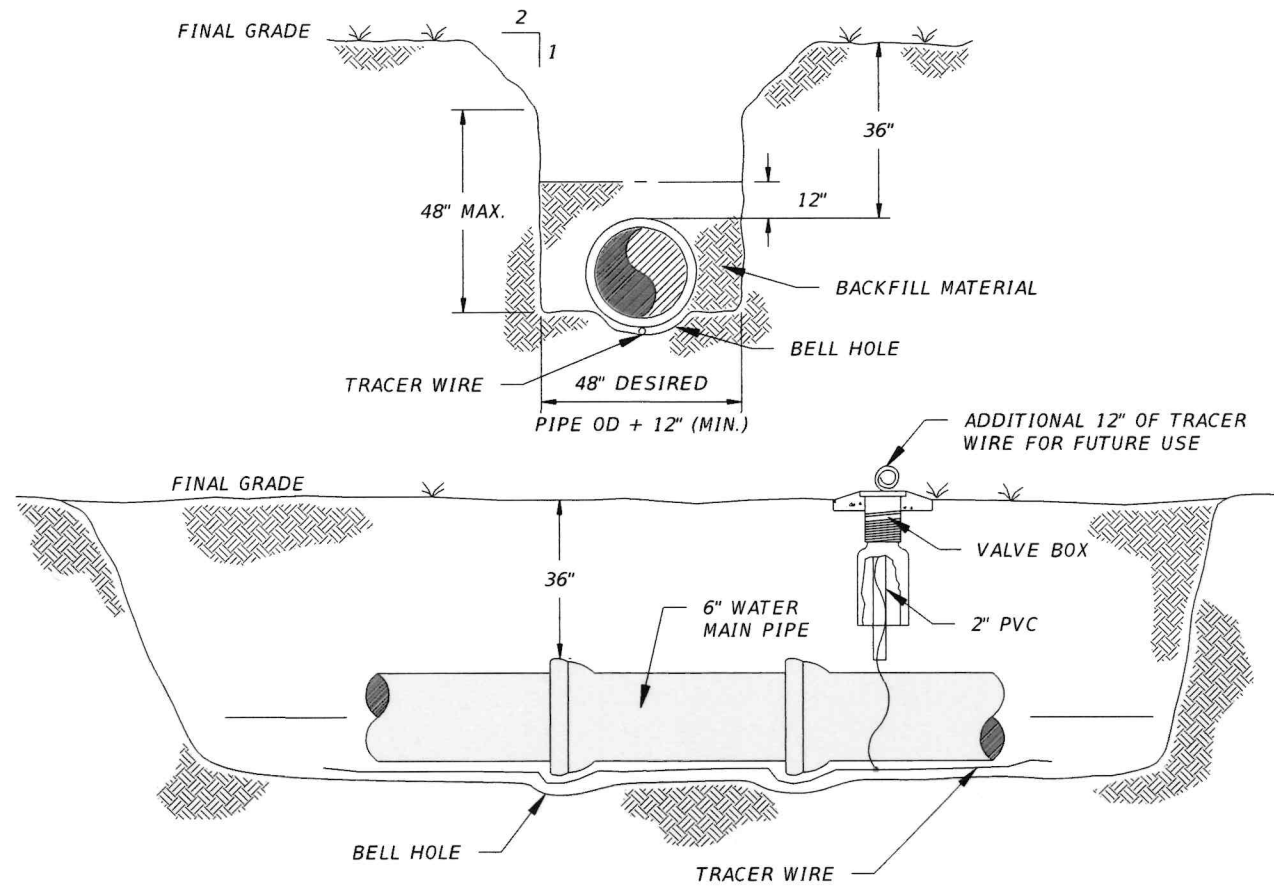
NOTES:

1. CONTRACTOR TO VERIFY LOCATION OF EXISTING 6" WATER MAIN.
2. MAINTAIN 5' CLEARANCE FROM EDGE OF PAVEMENT TO CENTERLINE OF PIPE.
3. LIMITS OF SOD TO INCLUDE 2' FROM CENTERLINE OF PIPE ON EACH SIDE.
4. FOR WORK ALONG SHOULDER, SET UP TEMPORARY TRAFFIC CONTROL DEVICES PER FDOT STANDARD PLAN INDEX 102-602. POSTED SPEED = 25 MPH.
5. NO WORK IS PERMITTED AT NIGHT. ALL CONSTRUCTION ACTIVITIES MUST BE PERFORMED BETWEEN 6 AM AND 6 PM.

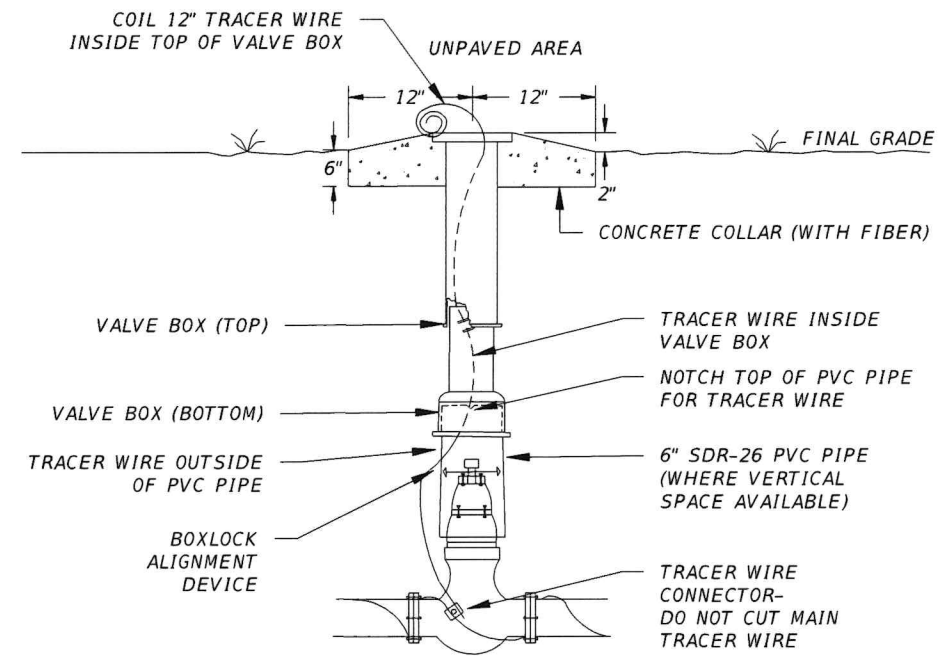
PLUM STREET		
TABULATION OF QUANTITIES		
ITEM	UNIT	NO. OF UNITS
6" PVC WATER MAIN OPEN CUT	LF	570
6" GATE VALVE	EA	2
SOD	SY	250
6" CONCRETE	SY	16.5



REVISIONS				JERRY DABKOWSKI, P.E. P.E. LICENSE NUMBER 34810 INFRASTRUCTURE CONSULTING & ENGINEERING, PLLC 5550 WEST IDLEWILD AVENUE, SUITE 115 TAMPA, FLORIDA 33634 CERTIFICATE OF AUTHORIZATION 30862	CITY OF HAMPTON		WATER LOOPING PLAN (3)	SHEET NO. 5
DATE	DESCRIPTION	DATE	DESCRIPTION		ROAD	COUNTY		
---	---	---	---	PLUM AVENUE	BRADFORD			



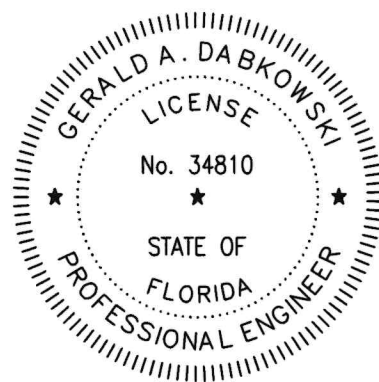
WATER MAIN CONSTRUCTION DETAIL
N.T.S



VALVE BOX DETAIL
N.T.S

NOTES:

1. PIPES SHALL BE 6" BLUE PVC AND LABELED "POTABLE WATER."
2. A CONTINUOUS BLUE TRACER WIRE SHALL BE INSTALLED ON ALL PIPES TAPED EVERY 10'.
3. THERE SHALL BE A MINIMUM OF THREE (3) CONTINUOUS COLORED STRIPES OR TAPES ALONG THE PIPE (LOCATED AT 10:00, 12:00, AND 2:00) EACH A MINIMUM OF 2" WIDE.
4. DEPTH OF PIPE MAY BE FIELD ADJUSTED TO MEET SPECIAL CONDITIONS AS DETERMINED BY THE ENGINEER OF RECORD OR INSPECTOR. PIPE INSTALLED LESS THAN 30" OR GREATER THAN 36" OF COVER SHALL BE DUCTILE IRON.
5. VALVE BOX SHALL BE INSTALLED AT MAXIMUM 500' INTERVALS FOR CONNECTION AND TESTING OF TRACER WIRE. COIL 12" OF TRACER WIRE INSIDE TOP OF VALVE BOX.



REVISIONS				JERRY DABKOWSKI, P.E. P.E. LICENSE NUMBER 34810 INFRASTRUCTURE CONSULTING & ENGINEERING, PLLC 5550 WEST IDLEWILD AVENUE, SUITE 115 TAMPA, FLORIDA 33634 CERTIFICATE OF AUTHORIZATION 30862	CITY OF HAMPTON		DETAILS	SHEET NO. 6
DATE	DESCRIPTION	DATE	DESCRIPTION		COUNTY			
---	---	---	---		BRADFORD			